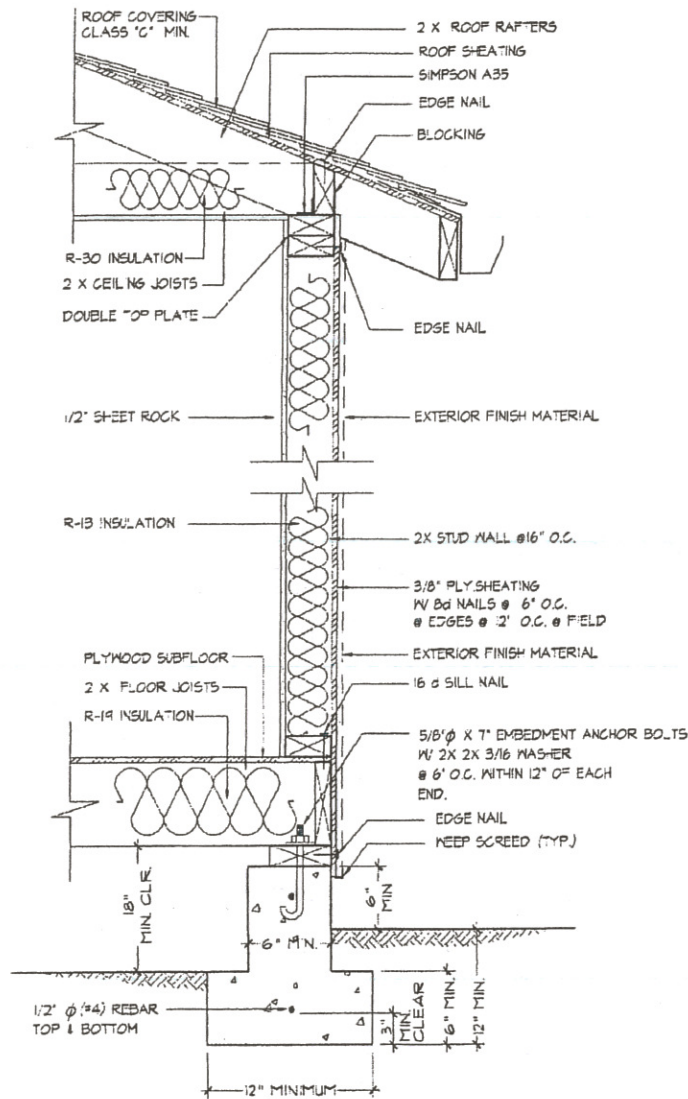




City of Pittsburg

Development Services / Building Division
 Civic Center, 65 Civic Avenue, Pittsburg CA 94565
 Phone: (925) 252-4910 Fax: (925) 252-4814

Residential Addition Plan Submittal Sample – Exterior Wall Cross Section



Scale: 1/4" per foot
 Date: May 5, 2008
 Drawn By: Bob Homeowner

1234 Avon Circle
 Residential Addition
 Exterior Wall Cross Section

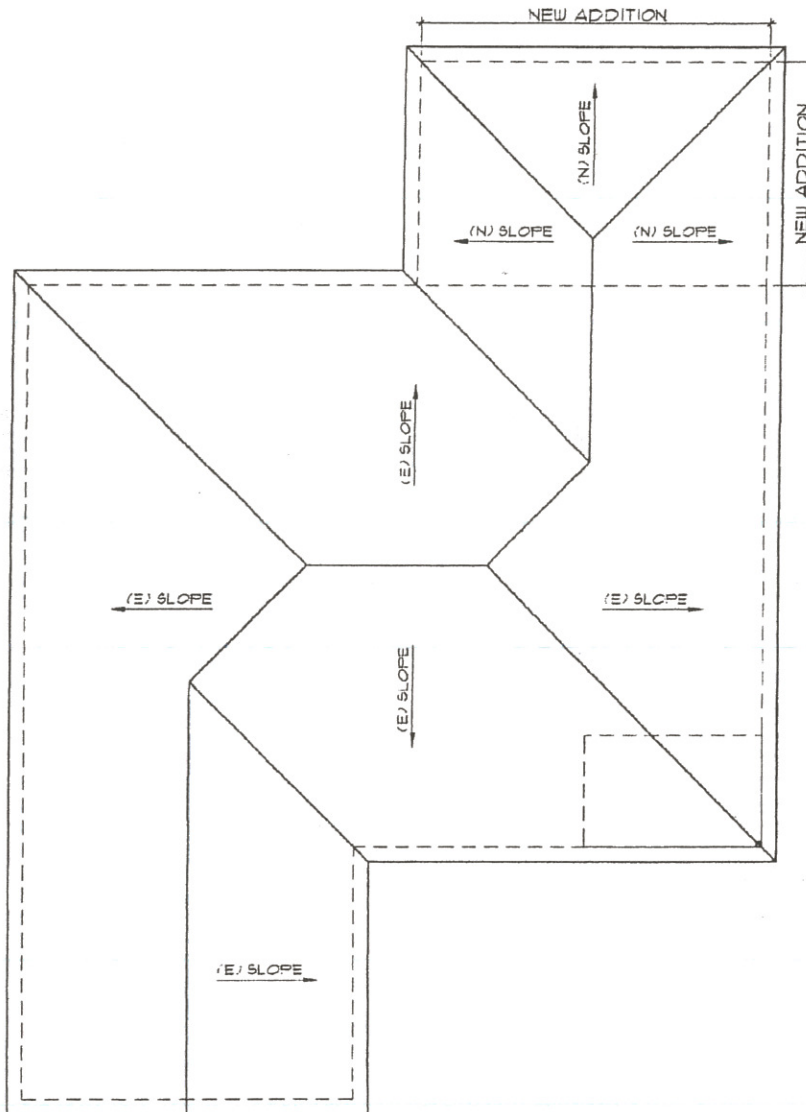
SHEET
 6
 of 6 SHEETS



City of Pittsburg

Development Services / Building Division
Civic Center, 65 Civic Avenue, Pittsburg CA 94565
Phone: (925) 252-4910 Fax: (925) 252-4814

Residential Addition Plan Submittal Sample – Proposed Roof Plan



Scale: 1/4" per foot
Date: May 5, 2008
Drawn By: Bob Homeowner

1234 Avon Circle Residential Addition Proposed Roof Plan
--

SHEET 4 of 6 SHEETS
