

**SANITARY SEWER NOTES**

1. See City Ordinance and Central Contra Costa Sanitary District (CCCSD) Sections 1 – 15 for design criteria and details.
2. Use S-2 for sanitary sewer lateral details. When S-2 conflicts with CCCSD details or specifications, the S-2 detail shall prevail.
3. All other improvements shall be constructed per CCCSD details numbered DWG 1 through DWG 52, which is available online at <http://centralsan.org/index.cfm?navId=920>

or may be purchased at the following location:

CCCSD Offices  
 5019 Imhoff Place  
 Martinez, CA 94553  
 (925) 229-3890

4. For trench width, use City Standard Detail R-5.
5. Wherever "the Engineer" or "County Engineer" is used, this refers to the City Engineer.
6. No steps in any structures (MH, vaults, etc.).
7. Sanitary sewer mains, sewer manholes, and sewer lateral services (side sewers) shall be constructed in accordance with the CCCSD Standard Specifications, Sections 18 through 23 and selected Standard Details, as modified by these City Standards. City of Pittsburg Standard Specifications shall not apply except where the CCCSD Standard Specifications are silent.
8. Where the CCCSD Standard Specifications and Standard Drawings make reference to "District", that term shall mean the City of Pittsburg. Except where modified by these City Standards, the Contractor shall furnish all materials and perform all construction operations and installations, television inspection, and testing of new facilities, regardless of contradictory language in the CCCSD standards stating that the work will be performed by the "District".
9. Grade rings are to be 12" maximum.
10. For motor court homes, manholes are to be located at least 30' from doors to avoid odor.
11. Sewer – check concrete apron around it.




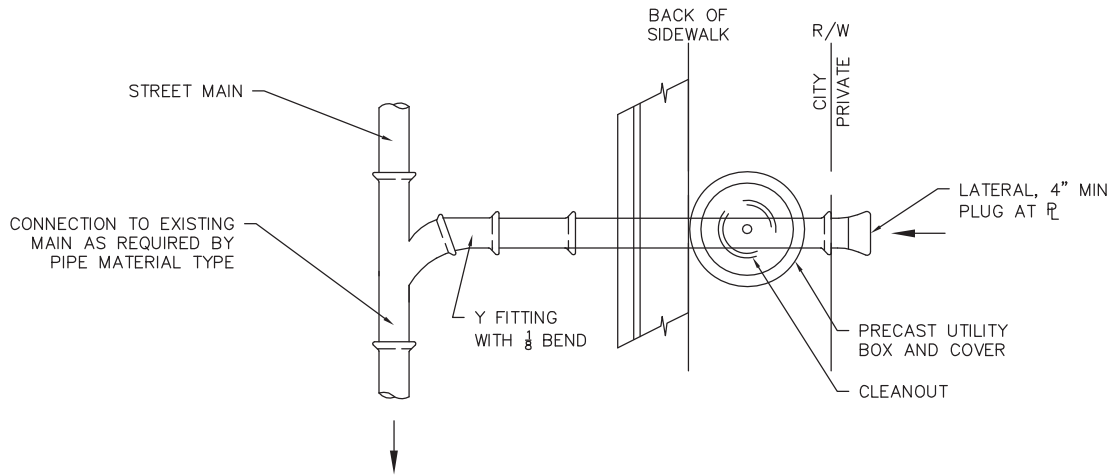
APPROVED \_\_\_\_\_

**3/8/23**

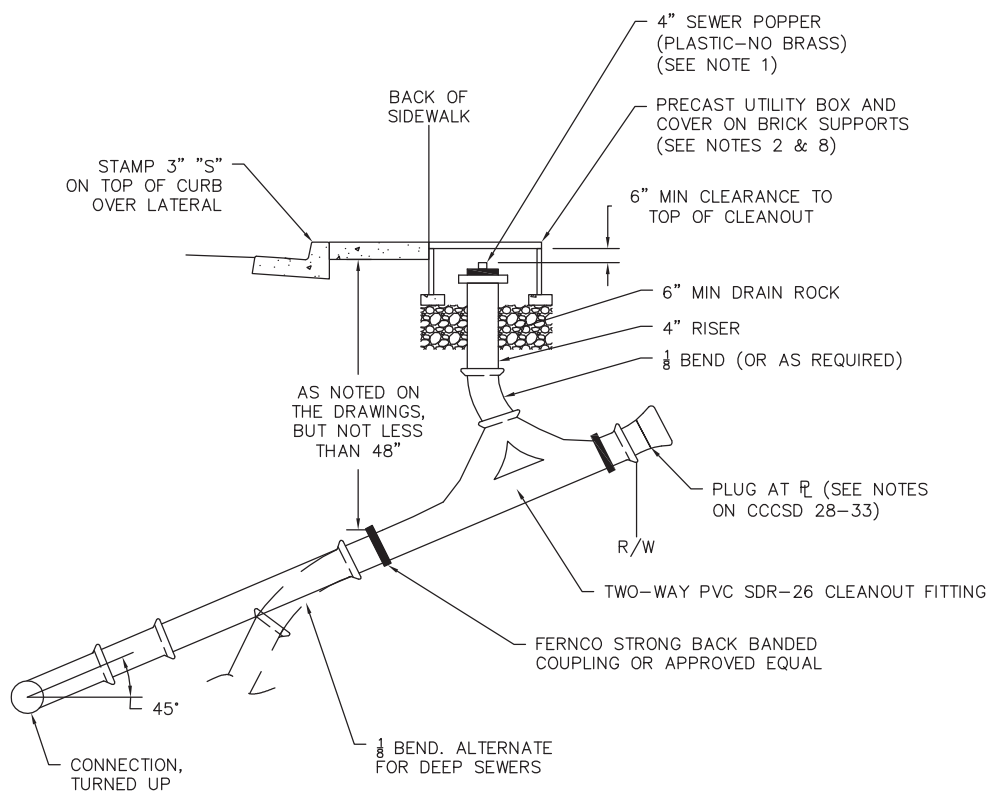
DRAFT

DATE

 CITY OF PITTSBURG	NO.	DATE	REVISION	DRAWN BY:	STANDARD DETAIL  SANITARY SEWER NOTES	SHEET 1 OF 1  S-1
	1	2019-01-11	NOTES 9-11	CHECKED BY: MK		
				DATE: 2019-01-11		
				SCALE: NONE		



TYPICAL PLAN VIEW  
SCALE: NTS



TYPICAL SECTION VIEW  
SCALE: NTS

APPROVED  3/8/23  
DATE

DRAFT



NO.	DATE	REVISION	DRAWN BY:	JL
			CHECKED BY:	MK
			DATE:	2019-01-11
			SCALE:	NTS

STANDARD DETAIL  
SANITARY SEWER LATERAL  
CLEANOUT

SHEET 1 OF 2  
S-2

**SANITARY SEWER LATERAL CLEANOUT NOTES**

1. Jones Stephens Corp., sewer pop-up cleanout and relief valve, (part no. S62-304) 3" x 4". No hub, or approved equal, where required. (No brass).
2. Christy F8 utility box and F8D reinforced concrete lid, or approved equal, labeled "SEWER".
3. On laterals 6" and larger, use two-way PVC SDR-26 cleanout.
4. Riser to be max. 6" diameter riser material to be the same as lateral.
5. The minimum lateral slope shall be 1/4" per foot, for 4" diameter pipe, and 1/8" per foot for 6" diameter pipe.
6. All lateral piping and fittings shall be the same diameter.
7. Install sanitary sewer backwater overflow device when the pad elevation is less than 12" above nearest upstream sewer manhole rim or the finished floor (if known) is less than 12" above the nearest upstream sewer manhole rim.
8. Where utility box is to be located in an area subject to vehicular traffic loading, the permittee shall furnish a traffic box for H/20 loading. Traffic box shall be Christy G5T box with lid labeled "SEWER" or approved equal.
9. Sanitary sewer cleanouts are to be at least 3' clear of driveway flares and a minimum horizontal clearance of 5' from water lateral.
10. For laterals servicing two units or more, laterals shall be 6" PVC SDR-26.

APPROVED \_\_\_\_\_



**3/8/23**

DATE

DRAFT



CITY OF  
PITTSBURGH

NO.	DATE	REVISION	DRAWN BY:
1	2019-01-11	NOTES 8&10	
			CHECKED BY: MK
			DATE: 2019-01-11
			SCALE: NONE

STANDARD DETAIL

SANITARY SEWER LATERAL  
CLEANOUT - NOTES

SHEET 2 OF 2

S-2